

# T18 Series Sensors (AC Voltage)



## Datasheet

For complete technical information about this product, including dimensions, accessories, and specifications, see <http://www.bannerengineering.com> and search for your model number. See also document 121525.



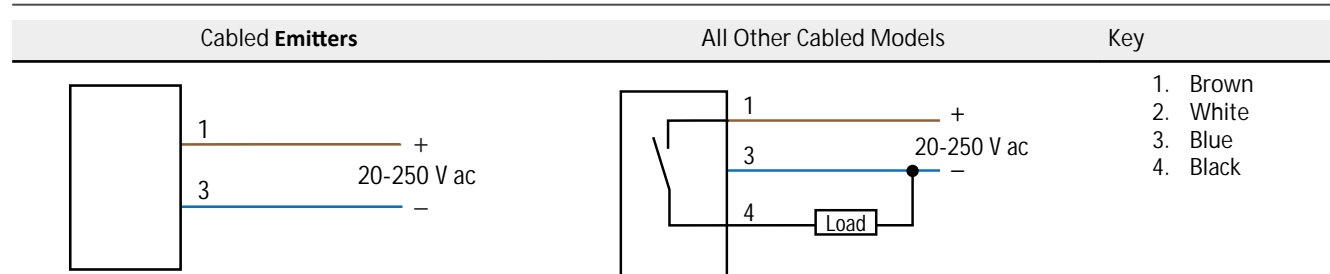
### WARNING: Not To Be Used for Personnel Protection

Never use this device as a sensing device for personnel **protection**. Doing so could lead to serious injury or death. This device does not include the self-checking redundant circuitry necessary to allow its use in personnel safety applications. A sensor failure or malfunction can cause either an energized or de-energized sensor output condition.

## Models

Models <sup>1</sup>	Sensing Mode	Range	LED	Output
T183E	Opposed	20 m (66 ft)	Infrared, 950 nm	-
T18AW3R				LO
T18RW3R				DO
T18AW3L	Retroreflective with Gain Control	2 m (79 in) <sup>2</sup>	Infrared, 950 nm	LO
T18RW3L				DO
T18AW3LP	Polarized Retroreflective	2 m (79 in) <sup>2</sup>	Visible Red, 680 nm	LO
T18RW3LP				DO
T18AW3D	Diffuse with Gain Control	300 mm (12 in)	Infrared, 950 nm	LO
T18RW3D				DO
T18AW3FF25	Fixed Field	25 mm (1 in) Cutoff	Infrared, 880 nm	LO
T18RW3FF25		DO		
T18AW3FF50		50 mm (2 in) Cutoff		LO
T18RW3FF50		DO		
T18AW3FF100		100 mm (4 in) Cutoff		LO
T18RW3FF100		DO		

## Wiring



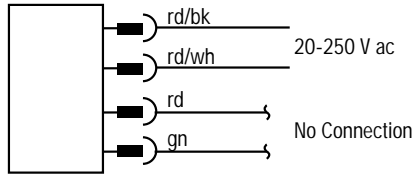
<sup>1</sup> Standard 2 m (6.5 ft) cable models are listed.

- To order the 9 m (30 ft) cable models, add suffix W/30 (for example, T183E W/30).

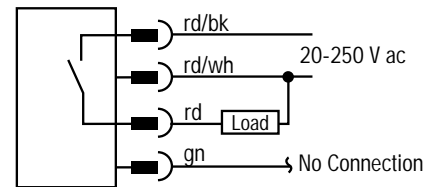
- To order the 4-pin Micro-style QD models, add suffix Q1 (for example, T183EQ1). A model with a QD connector requires a mating cable.

<sup>2</sup> Use polarized models when shiny objects will be sensed.



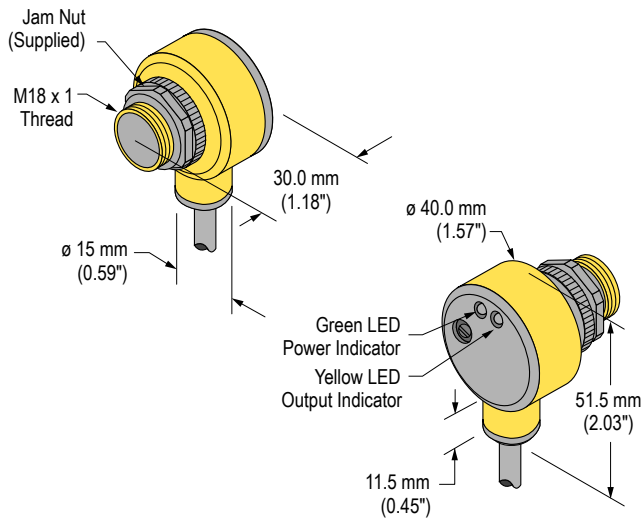
4-pin Micro-style OD **Emitters**

## All Other Micro-style OD Models

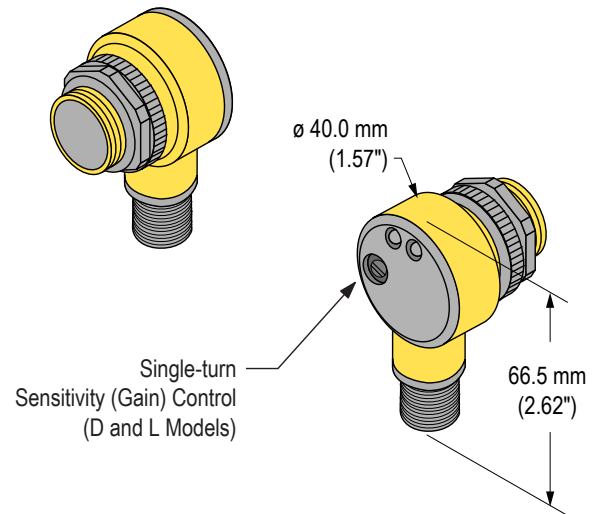


## Dimensions

## Cabled Models



## OD Models



## Specifications

## Supply Voltage and Current

20 to 250 V ac (50/60 Hz)  
Average current: 20 mA  
Peak current: 200 mA at 20 V ac, 500 mA at 120 V ac, 750 mA at 250 V ac

Supply **Protection** Circuitry

Protected against reverse polarity and transient voltages

Output **Configuration**

SPST solid-state ac switch; Three-wire connections; Choose light operate or dark operate models  
Light Operate: Output conducts when sensor sees its own (or the emitter's) modulated light  
Dark Operate: Output conducts when the sensor sees dark

Output **Rating**

300 mA maximum (continuous)  
Fixed-field models: derate 5 mA/°C above +50 °C (+122 °F)  
Inrush Capability 1 amp for 20 milliseconds, non-repetitive  
OFF-state leakage current: < 100 microamps  
ON-state saturation voltage: 3 V at 300 mA ac; 2 V at 15 mA ac

Output **Protection** Circuitry

Protected against false pulse on power-up

## Output Response Time

Opposed mode models: 16 ms ON, 8 ms OFF  
Other models: 16 ms ON and OFF  
NOTE: 100 ms delay on power-up

## Repeatability

Opposed mode models: 2 ms  
Other models: 4 ms  
Repeatability and response are independent of signal strength.

## Adjustments

Non-polarized retroreflective and diffuse models (only) have a single-turn rear-panel sensitivity control (turn clockwise to increase gain)

## Indicators

Two LEDs (green and amber)  
Green on: power to sensor is on  
Amber on: sensor sees light  
Amber flashing: excess gain marginal (1 to 1.5x) in light condition

**Construction**

Housing: PBT polyester housing  
Lens: polycarbonate (opposed-mode) or acrylic (other models)

**Connections**

2 m (6.5 ft) integral cable; 9 m (30 ft) integral cable; or 4-pin Micro-style quick-disconnect fitting